

THE
GALLERY
COLLECTION



CONTENTS

Materials	6
Fireplace Suites	8 - 21
Fireplace Mantels	22 - 41
Fireplace Combinations	42
Inset Gas Fires	44 - 47
Inset Electric Fires	48
Cast Iron Inserts	50
Higher Performing Cast Iron Inserts	52
Cast Iron Inserts	54
Tiled Cast Inserts	56
Fascias Inserts	58
Fire Baskets	60
Stoves	62 - 103
Decorative Flue Pipe	104
Black Glass Liner Kit	105
Fireplace Chambers	106 - 115
Chamber Trim Kit	116
Tiles	118 - 119
Fireplace Hearths	120 - 125
Atlas Tiled Back & Hearth Set	126 - 127
Fireplace Beams	128 - 129
Technical Information	130 - 139
Aftercare and Maintenance	140 - 145





COMBINING SUPREME CRAFTSMANSHIP, QUALITY MATERIALS, AND ELEGANCE.

The Gallery Collection presents an extensive range of traditional and contemporary fireplaces and stoves. Built on over 70 years of experience in the fireplace industry we combine supreme craftsmanship, quality materials and elegance in design.

Our desire is to provide you with a superb choice of fireplaces skilfully made with high quality materials, all fitted in your home by reputable retailers so you can enjoy the experience of buying and owning your own individual fireplace.

The fireplace suites and fires within the collection represent classic fireplace designs, some infused with a contemporary twist, aimed to complement a variety of interior styles. Many designs are available in a variety of stone finishes including Portuguese limestone, Natural marble, Micro marble, and Granite all capable of combining with our extensive range of gas and electric fires, casts, baskets and stoves.

The Gallery Collection offers a unique selection of natural stone mantels and quality cast iron fireplace options including inserts, fascias and fire baskets, as well as a wide selection of more traditional cast iron combination fireplaces. Our range will allow you to burn a variety of fuels, there is something for everyone and even the choice to install one of our realistic electric fires appliances.

The Gallery Collection features a range of stoves suitable for many scenarios and fuel types. Our multifuel stoves are fully CE/UKCA approved and ClearSkies certified to the 2022 Ecodesign emissions and efficiency standards.





MATERIALS

KALLOS MARBLE



Kallos Marble

Kallos Real Marble: Nature's Masterpiece from Mount Falakro. Sourced from the pristine slopes of Mount Falakro in the Drama region of northern Greece, Kallos real marble is a testament to timeless elegance and natural artistry. Quarried near the village of Volakas, renowned for its exceptional marble, each slab features a luminous white base adorned with sweeping veins in shades of grey, purple, and brown.

This distinctive stone is celebrated in high-end architecture and interior design for its sophisticated presence. Its delicate tracery of veining contrasts strikingly with bolder patterns, creating depth and drama across a serene, neutral canvas. Each mantel showcases its own unique vein composition, transforming every installation into a refined and eye-catching centrepiece—a true one-of-a-kind statement for any home.

MICRO MARBLE



Arctic White

Arctic White offers a more uniform detail without the swirls and veins found in traditional marble fireplaces. As an alternative, micro marble offers a consistent, even tone and a durable, polished finish. Arctic White is a vivid shade of white with the slightest hint of grey speckling that adds to an intriguing sense of depth.

PAINTED MANTELS



White

Add a touch of elegance to your living space with our beautifully crafted white painted fireplace mantel. The flawless white finish complements any interior decor, from traditional to modern, creating a timeless focal point in your room. Expertly constructed from durable materials, this mantel is designed to frame your fireplace with style and sophistication. Its clean lines and smooth surface make it a versatile addition to any home, while the easy-to-maintain paint ensures lasting beauty. Whether you're looking to enhance a traditional fireplace or add a statement piece to a modern room, this mantel delivers unmatched beauty and style.

LIMESTONE



Agean Limestone



Portuguese Limestone



Persian Limestone

This natural, sedimentary limestone formed over 50 million years ago is cut straight from the earth. Portuguese Limestone features characteristic darker veins on a light background, intermingled with fossils of plants and animal life, all adding to the beauty and individuality of this great material. In contrast Agean Limestone is a much whiter limestone with a soft, speckled grain, which works well in a variety of settings.

Persian Limestone, a darker, grey toned version of the much-loved Agean Limestone has the rare feature of appealing to both traditional and contemporary tastes. Whether creating a bold mantel centrepiece or adding some flair to a modern architectural piece, this unique material is guaranteed to catch the eye.

CAST IRON



Black



Full Polished



Highlight



Traditional

All our cast iron products are manufactured to the highest standards in ISO 2002 accredited facilities. The quality and attention to detail is second to none. Not only is the casting quality first class, but the finishing processes are carried out by highly trained craftsmen. Many products are available with a finish of your choice in matt black, highlight polished or fully polished.

FIREPLACE SUITES

The Fireplace Suites & Fires within this brochure represent classic fireplace designs, some infused with a contemporary twist, aimed to complement a variety of interior styles.

When planning your fireplace, the Gallery Collection has a variety of materials to choose from, depending on what look you are trying to achieve.

All the suites work in combination with our extensive range of fires including our higher performing gas fires range. The collection also includes a large range of gas and electric fires.

We hope this wide choice will allow you to select the perfect fireplace to suit your own particular taste. We have pictured each suite design in a variety of options to demonstrate some of the many different combinations that can be achieved. A suite consists of the mantel, back panel and hearth.

Most suites in this brochure (except the models fitted with feature lighting) can be fitted against a flat wall without a chimney, if chosen with a suitable electric fire. All that is required is a power point. We have generally shown the suites with gas and electric fire options.

Pictured: The Riverslea fireplace suite in Arctic White micro marble featuring the Aurora gas fire in Gold finish. See page 46 for details.





THE CARTMEL FIREPLACE SUITE

The Cartmel Fireplace Suite is suitable for electric or gas.

48" Cartmel in Portuguese limestone complete with back panel and 48" hearth, with optional recessed twin spot lights available separately. Also available in Micro Marble, shown in the image below. Features an Apollo gas fire in Highlight finish, see page 46 for alternative fire options.





THE CONISTON FIREPLACE SUITE

The Coniston Fireplace Suite is suitable for solid fuel, electric or gas.

54" Coniston Portuguese limestone suite comes complete with mantel, three piece back panel and 54" hearth. Featuring the Bauhaus gas fire in Chrome finish, available separately, please see page 46 for details.





THE CRANBOURNE FIREPLACE SUITE

The Fireplace Suite is suitable for electric or gas.

44" Cranbourne Portuguese limestone suite comes complete with mantel, three piece back panel and 44" hearth. Featuring the Blenheim electric fire, available separately, please see page 48 for details.





THE DACRE FIREPLACE SUITE

The Dacre Fireplace Suite is suitable for solid fuel, electric or gas.

54" Dacre Portuguese limestone suite comes complete with mantel, three piece back panel and 54" hearth. Featuring the Baltimore gas fire in Chrome finish, available separately, please see page 46 for details.





THE DURRINGTON 48 FIREPLACE SUITE

The Durrington 48 Fireplace Suite is suitable for electric or gas.

48" Durrington Arctic White micro marble suite features recessed twin spot lights and comes complete with mantel, back panel and 48" hearth. Featuring the Hopton electric fire in Black finish, available separately please see page 48 for details. Also available in Portuguese limestone, shown in the image below.





THE RIVERSLEA FIREPLACE SUITE

The Riverslea Fireplace Suite is suitable for electric or gas.

48" Riverslea mantel in Arctic White micro marble suite comes complete with mantel, grey marble inlay, Arctic white micro marble back panel and 48" hearth. Featuring the Aurora gas appliance in Gold finish, available separately please see page 46 for details.





FIREPLACE MANTELS

The Gallery Collection presents a unique selection of natural stone mantels and quality cast iron fireplace options including inserts, fascias and fire baskets, as well as a wide selection of more traditional cast iron combination fireplaces.

We are also very proud to feature our range of higher performing cast iron inserts, with the balanced flue option boasting efficiencies of up to 74%. These authentically styled inserts benefit from all the aesthetic qualities common with traditional fireplaces, combined with the eco-friendly higher efficiencies of gas convector fires.

Generally, a fireplace would comprise of separately selected items carefully chosen by you to create a truly unique focal point for your living space. These items include a mantel, a hearth, an insert or chamber and a fire with options such as gas, solid fuel or electric. There is also the option of using a fire basket or fascia/inset gas fire combination allowing many permutations. If your preferred combination of products are not shown, it does not mean they do not work together.

Also incorporated into this section are cast iron fascias. These do not feature the full depth of an insert and are combined with an inset gas fire, please see page 46 for details.

Pictured: 54" Bartello mantel in White Painted finish, featuring the Solano Electric stove, Granite hearth and Honey Black ceramic chamber.





THE ASQUITH MANTEL

The Asquith Mantel is suitable for solid fuel, electric or gas.

Asquith 55" Agean limestone mantel featuring the Crown arched insert gas fire in black, 54" slate hearth available separately. See page 50 onwards for alternative insert options.





THE BARTELLO MANTEL

The Bartello Mantel is suitable for solid fuel, electric or gas.

Pictured right: Bartello 54" Agean limestone mantel featuring the Lytton arched insert gas fire in Highlight finish and 54" granite hearth available separately. See page 50 onwards for alternative insert options.

Pictured below: 54" Bartello mantel in White Painted finish.





THE BROOKSBY MANTEL

The Brooksby Mantel is suitable for electric or gas.

The Brooksby in Kallos marble blends sleek, geometric lines with the natural elegance of Greek Volakas marble. A refined alternative to Carrara, it features a crisp white base with soft grey diagonal veining. This contemporary classic serves as a striking focal point in any living space. Shown here with the Bolton arched cast insert with gas fire in highlight finish and polished granite hearth.





THE BROMPTON 51 MANTEL

The Brompton 51 Mantel is suitable for solid fuel, electric or gas.

51" Brompton Agean limestone mantel featuring the Eos gas fire in Chrome finish, available separately. See page 46 for details.





THE BROMPTON 56 MANTEL

The Brompton 56 Mantel is suitable for solid fuel, electric or gas.

Brompton 56" Persian limestone featuring the Landsdowne cast insert and Granite hearth. This mantel is also available in Agean limestone and Kallos marble. See page 50 onwards for alternative insert options.





THE CHISWICK MANTEL

The Chiswick Mantel is suitable for solid fuel, electric or gas.

The Chiswick Mantel is designed for versatility, making it suitable for solid fuel, electric, or gas. Featured here in Kallos marble, the 56" mantel is paired with the Classic 8 gas stove in a warm white finish. Completing the look, a 54" slabbed Granite hearth is available separately, enhanced by the Steel Grey ceramic brick bond chamber, adding texture and depth to the setting.





THE KINGSTON MANTEL

The Kingston Mantel is suitable for solid fuel, electric or gas.

56" Kingston Kallos mantel featuring the Normandy tiled insert with Tulip Blue/Ivory tiles, real fire and 54" slabbed Granite hearth available separately. See page 50 onwards for alternative insert options.





THE PALMERSTON MANTEL

The Palmerston Mantel is suitable for solid fuel, electric or gas.

54" Palmerston black cast iron mantel featuring the Sovereign tiled insert in black finish with Tulip Burgundy/Ivory tiles, decorative gas fire with 54" Granite hearth available separately.

Also available in 48", for alternative insert options please see page 50 onwards.





THE RICHMOND MANTEL

The Richmond Mantel is suitable for solid fuel, electric or gas.

54" Richmond Kallos marble mantel featuring the Traditions cast iron insert and 54" Anthracite Slate hearth available separately.





FIREPLACE COMBINATIONS

As the name suggests, a combination fireplace is a cast iron centre piece that combines many aspects of a traditional fireplace in one package. All you need to choose is your preferred fuel type and add a hearth.

All combination models have the option of solid fuel or gas, but we also offer the option of electric fires in selected models. As with other cast iron products, all are suitable for burning solid fuel, however polished and highlighted products may tarnish. When burning solid fuel it is recommended that you choose a black finish. For more information on each of our combination fireplace's available finishes and fuel suitability see the table on page 130.



Nottage 30"
in Black Finish



Tregaron 36"
in Highlight Finish



Pembroke 48"
in Black Finish (Pictured)





INSET GAS FIRES





INSET GAS FIRES

The Gallery Collection offers a range of versatile inset gas fires. They are available to suit both traditional and contemporary designs and feature a variety of frame styles, colour & fuel options and engine types. Please see page 86 for frame, fret and trim information.



Apollo
in Highlight



Aurora
in Gold



Aurora
in Chrome



Baltimore
in Black



Baltimore
in Polished



Bauhaus
in Antique Brass



Bauhaus
in Chrome
Available in Polished



Bauhaus
in Black



Blenheim
in Black with brass finials



Blenheim
in Antique Brass



Blenheim
in Brass



Blenheim
in Highlight with polished finials
Also available in Chrome



Clevedon
in Polished



EOS
in Antique Brass



EOS
in Chrome



Grace
in Black



Grace
in Chrome
Also available in Polished



Grace
in Brass



Solaris
in Chrome



Solaris
in Black



Solaris
in Gold

INSET ELECTRIC FIRES

The Gallery Collection presents a range of electric fires which features our latest innovative multi-colour way flame technology. These versatile appliances have an impressive range of up to 2kW heat output and are available with a range of contemporary and traditional trims to choose from. The appliance comes with 4 interchangeable fuel beds allowing you to swap them as your tastes change. For a more traditional look you can use the coals or logs or for a contemporary feel you can use the pebbles or crystals.

These UK designed appliances are fully ERP compliant and is supplied with an infrared remote with LCD display with a friendly interface allowing all the settings available easy to understand and function. The fires have been designed with optimal controllability enabling you to switch quickly and simply from heat to flame effect. The remote features a fully programmable timer designed to provide automatic time and temperature control over a 7 day period.

Features:

- Infrared remote control with LCD display
- Four different fuel beds – logs, coals, pebbles, crystals
- RGB colour changing flame effect and fuel bed
- Thermostatic control
- 7-day programmable timer

Pictured: Hopton inset electric fire in Brushed Stainless Steel.





Hopton
in Black Finish



Hopton
in Brushed Stainless Steel



Blenheim
in Brass Finish



Bauhaus
in Brass

CAST IRON INSERTS

A cast iron insert is a decorative plate with complimentary front bars that can incorporate an appliance should you so wish, or can be left purely as a decorative feature. They are typically in the design of an arch or a vertically tiled section either side of the opening. They are also compatible with several fuel types, including wood, coal, gas or electric. Except for the higher performing range and any chrome finishes, all of the inserts featured in this brochure are suitable for burning multiple fuels, for example wood and coal (for occasional use), however polished and highlighted products may tarnish. When burning solid fuel, it is recommended that you choose a black finish, for more information on each of our inserts available finishes and fuel suitability see the table on page 130.

Pictured right: Brompton 56" Agean limestone, featuring the Jubilee arched insert in Highlight finish. Pictured below: Detail image of the Landsdowne cast iron insert.





HIGHER PERFORMING CAST IRON INSERTS

The Gallery Collection proudly features a range of higher performing cast iron inserts. These design-led fireplaces have taken the styling of the traditional insert and combined it with modern, patented gas fires to produce one of the most authentic looking products of its type currently available. Each insert style comes with the option of 3 different fire types to suit most chimney scenarios and features efficiencies of up to 74%.



HP Toulouse
in Highlight



HP Lytton
in Highlight



HP Jubilee
in Highlight



HP Jubilee
in Half Polished





CAST IRON INSERTS





Bolton
in Highlight



Landsdowne
in Highlight and Graphite



Crown
in Black



Lytton
in Black and Highlight



Jubilee
in Highlight



Traditions
in Black and Highlight

TILED CAST INSERTS

Create a stunning period style feature in your home with one of our tiled inserts. Perfect for any home whether you have a traditional Victorian property or simply want to recreate that aesthetic in a more modern home.

Our tiled Inserts are made from high quality cast iron, and are fitted into a fire mantel or existing fireplace. Our cast iron tiled fireplaces are compatible with various fuel sources including gas, solid fuel and electric fire options.

We also offer a range of fireplace tiles to accompany your tiled insert please see following page for details.



INSERT OPTIONS



Tulip
in Highlight Finish



Normandy
in Polished Finish



Sovereign
in Black Finish



Normandy
in Black Finish

TILE OPTIONS



Jazz
in Burgundy/Ivory



Sweeping Rose
in Yellow/Ivory



Tulip
in Blue/Ivory



Tulip
in Burgundy/Ivory

FASCIAS INSERTS

Cast Iron fascias, inserts or back panels have evolved over time, and they are able to be used with gas or electric fires to offer the look of a traditional fireplace. There is also the option to use with a high efficiency inset gas appliance for more heat and greater efficiency. There is also the additional choice of an electric inset fire and they can also be used for solid fuel with a clay back which would include a finishing trim and fret complete with an ash pan cover.

*Fires/Inserts are not included with Fascias.

Pictured: Dacre Fireplace Suite, Monroe Highlight and the Clevedon gas appliance.



Hamilton
in Highlight



Monroe
in Highlight



FIRE BASKETS

Fire baskets are an eye-catching addition to any fireplace with options for solid fuel (wood, coal), gas, and electric. All our fire baskets are suitable for burning solid fuel, however polished and highlighted products may tarnish. When burning solid fuel, it is recommended that you choose a black finish. For more information on our fire baskets, including finishes and fuel suitability please see page 133.

In most scenarios it will be necessary to fit a chamber, slip set and back panel with your fireplace. Within this section we have a variety of such items in many finishes for you to choose from.





Castle
in Black with brass finials and knob
570(w) x 280(d) x 470(h)



Cromwell 18"
in Black
570(w) x 280(d) x 470(h)
Also available in 16" (330(w) x 250(d) x 150(h))



Elan with back
in Polished and Black
440(w) x 300(d) x 385(h)



Elan without back
in Polished and Black
440(w) x 300(d) x 220(h)



Krypton (shown without back)
in Black
with back: 530(w) x 265(d) x 190(h)
without back: 530(w) x 265(d) x 230(h)



Matrix
in Black
520(w) x 300(d) x 395(h)



Queen Anne
in Antique Brass
590(w) x 285(d) x 580(h)



Valencia
in Black
16" without back: 400(w) x 330(d) x 220(h)
18" without back: 550(w) x 330(d) x 220(h)
18" with back: 470(w) x 305(d) x 475(h)
21" without back: 550(w) x 330(d) x 220(h)
21" with back: 550(w) x 305(d) x 500(h)

STOVES

The Gallery Collection presents an extensive range of traditional and contemporary stoves, combining supreme craftsmanship, quality materials and elegance in design. There's nothing quite like the feeling invoked by the comforting glow and warmth of a cast iron stove. Our desire is to provide you with a superb choice of high performance, efficient stoves that are skilfully made with high quality materials.

There are many factors and considerations that will determine which stove is ideally suited to take pride and place in your home. Featured within this brochure are a range of stoves suitable for many build applications, with a host of fuel options, including wood, gas, electric or multifuel.

A multifuel stove has many similar characteristics to a wood-burning stove in appearance and design. Multifuel, in essence refers to the burning capability of the stove, therefore the permitted fuels you are able to use would include wood, smokeless coal, wood pellets or peat. Burning house coal is not permitted and could cause damage to your appliance due to the higher temperature of which it burns.

Many parts of the UK are smoke control areas where you cannot emit smoke from a chimney unless you're burning an authorised fuel or using 'exempt appliances'. In a smoke control area you can only burn fuel on the list of authorised fuels, or any of the following 'smokeless' fuels as mentioned below, unless you're using an exempt appliance. All of which need to be in accordance with the manufacturer's instructions.

- Anthracite
- Semi-anthracite
- Low volatile steam coal

The comprehensive list of authorised fuels can be found at www.gov.uk

To help you make the perfect choice we have put together an easy to read table on page 134 to enable you to compare the features and specifications of each stove. The Gallery collection allows you to choose from a range of authentic fireplace chambers & hearths, timeless period combination casts, solid fuel and gas stoves, inset gas fires & decorative baskets. All this together with your fireplace accessory needs, allowing you to create that perfect focal point to your living space. Don't forget, your retailer is on hand with helpful advice to assist you with your decision.





ECODESIGN STOVES



Ecodesign Ready Stoves in accordance with the Governments clean air strategy are designed to reduce emissions by burning wood more efficiently taking into account the long term environmental impact of the appliance during its whole lifecycle.

Only appliances that have been tested and verified as meeting these new limits will be able to be sold and installed legally within the UK.

The emission limits include those for Particulate Matter (PM), Organic Gaseous Compounds (OGC), Carbon Monoxide (CO) and Nitrogen Oxides (NOx).

SIA Ecodesign Ready stoves will meet the new regulation which will come into force on the 1st January 2022. All of the stoves featured in the Gallery Collection are Ecodesign ready stoves, pledging our support to a greener sustainable future in order to further reduce the impact of climate change.

READY TO BURN



Whilst we continue to develop new and enhanced products to improve efficiency and clean burning, it is the critical issue of wood fuel that plays the biggest role in the air quality solution. A stove is only as good as the wood it burns.

Burning wet wood is inefficient as it demands a lot of heat to vaporise the water before the appliance can give out the proper level of heat to the room, hot water or heating systems. In turn, this creates a lot of smoke which damages the chimney blackens the appliance and contributes to air pollution. Dry wood that has been properly sourced and seasoned means it produces fewer particulates, more heat efficiency and less maintenance. Chimneys are less likely to block and will remain easier to sweep.

The government-backed Ready to Burn scheme is compliant with EU timber regulations and will set a benchmark for logs and other wood fuels in the UK to help with identifying wood that has been carefully chosen and ready to burn.

For more details and to find your nearest stockist visit:
www.woodsure.co.uk/are-you-ready-to-burn/





CLASSIC 5 ECO MULTIFUEL STOVE

Shown with 48" Palmerston mantel, Porcelain Slate brick bond chamber and 48" slabbed granite hearth/back hearth.

Fuel Type: Multifuel*

Energy Rating: A+

Heat Output: Up to 5kW

Efficiency: Up to 82.5%

*Only wood and smokeless fuels may be used in smoke controlled areas





CLASSIC 5 ECO GAS STOVE

Shown with 48" Grey Oak timber effect beam, Navarra chamber and Tapestry hearth.

Fuel Type: Gas/LPG

Energy Rating: D

Natural Gas Heat Output: Up to 3.8kW

LPG Heat Output: Up to 3.7kW

Efficiency Gas: Up to 81%

Efficiency LPG: Up to 79%

Controls: Manual or remote





CLASSIC 8 ECO BLACK MULTIFUEL STOVE

Shown with 56" Brompton mantel in Kallos marble, Parchment chamber and Natural Slate hearth.

Fuel Type: Multifuel*

Energy Rating: A+

Nominal Heat Output and Range: 5kW (2.5 - 8kW)

Efficiency: Up to 84%

*Only wood and smokeless fuels may be used in smoke controlled areas





CLASSIC 8 ECO WARM WHITE MULTIFUEL STOVE

Displayed with the 54" Richmond mantel in Kallos marble, this elegant setup includes a 54" slabbed granite hearth and back hearth, complemented by the Steel Grey Herringbone chamber, adding texture and depth to the design.

Fuel Type: Multifuel*

Energy Rating: A+

Nominal Heat Output and Range: 5kW (2.5 - 8kW)

Efficiency: Up to 84%

*Only wood and smokeless fuels may be used in smoke controlled areas





CLASSIC 8 ECO OXFORD GREY MULTIFUEL STOVE

Shown with 54" Bartello mantel in Agean Limestone, 54" Anthracite tiled hearth/back hearth and Marrakech chamber.

Fuel Type: Multifuel*

Energy Rating: A+

Nominal Heat Output and Range: 5kW (2.5 - 8kW)

Efficiency: Up to 84%

*Only wood and smokeless fuels may be used in smoke controlled areas





CLASSIC 8 BLACK GAS STOVE

Shown with Brompton mantel in Persian Limestone, Grey/White Staggered chamber and slabbed Porcelain Slate tiled hearth.

Type: Gas/LPG

Energy Rating: E

Natural Gas Heat Output: Up to 4.8kW

LPG Heat Output: Up to 4.5kW

Efficiency Gas Up to 79%

Efficiency LPG: Up to 79%

Controls: Manual or remote





CLASSIC 8 ECO WARM WHITE GAS STOVE

Shown with Asquith mantel, Rustic Grey Brick chamber and honed granite hearth.

Type: Gas/LPG

Energy Rating: E

Natural Gas Heat Output: Up to 4.8kW

LPG Heat Output: Up to 4.5kW

Efficiency Gas Up to 79%

Efficiency LPG: Up to 79%

Controls: Manual or remote





DARWIN

GAS STOVE

CONVENTIONAL / BALANCED FLUE

Shown with a Light Oak effect geocast beam, Steel Grey chamber, and Harlequin tile slabbed hearth.
*Concentric Flue Size (LPG model available).

Fuel Type: LPG

LPG Energy Rating: B

LPG Conventional Flue:

Output (Nominal): 4.9kW, Efficiency: Up to 74%

LPG Balanced Flue:

Output (Nominal): 4.5kW, Efficiency: Up to 68%

Fuel Type: Natural Gas

Natural Gas Energy Rating: D

Natural Gas Conventional Flue:

Output (Nominal): 4.3kW, Efficiency: Up to 74%

Natural Gas Balanced Flue:

Output (Nominal): 5.6kW, Efficiency: Up to 75%





FIREFOX 5 ECO MULTIFUEL STOVE

Shown with Rustic Dark oak geocast beam, Highland Red ceramic brick bond chamber, chamber trim kit and slabbed Natural Slate hearth.

Fuel Type: Multifuel*

Energy Rating: A+

Heat Output: Up to 5kW

Efficiency: Up to 82.5%

*Only wood and smokeless fuels may be used in smoke controlled areas





FIREFOX 5 GAS STOVE

Shown with Heritage geocast beam, Zamora chamber and honed granite hearth.

Fuel Type: Gas/LPG

Energy Rating: D

Natural Gas Heat Output: Up to 3.8kW

LPG Heat Output: Up to 3.7kW

Efficiency Gas: Up to 81%

Efficiency LPG: Up to 79%

Controls: Manual or remote





FIREFOX 8 ECO MULTIFUEL STOVE

Shown with 56" Brompton mantel in Agean limestone, Porcelain Slate brick bond chamber and slabbed 56" Star tile hearth.

Fuel Type: Multifuel*

Energy Rating: A+

Nominal Heat Output and Range: Up to 5kW (2.5 - 8kW)

Efficiency: Up to 84%

*Only wood and smokeless fuels may be used in smoke controlled areas





FIREFOX 8 GAS STOVE

Shown with 48" Dark Oak timber effect geocast beam, Soria chamber and Natural Slate hearth.

Type: Gas/LPG

Energy Rating: E

Natural Gas Heat Output: Up to 4.8kW

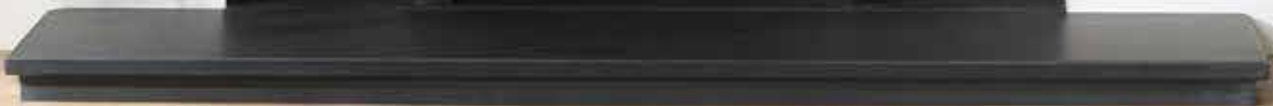
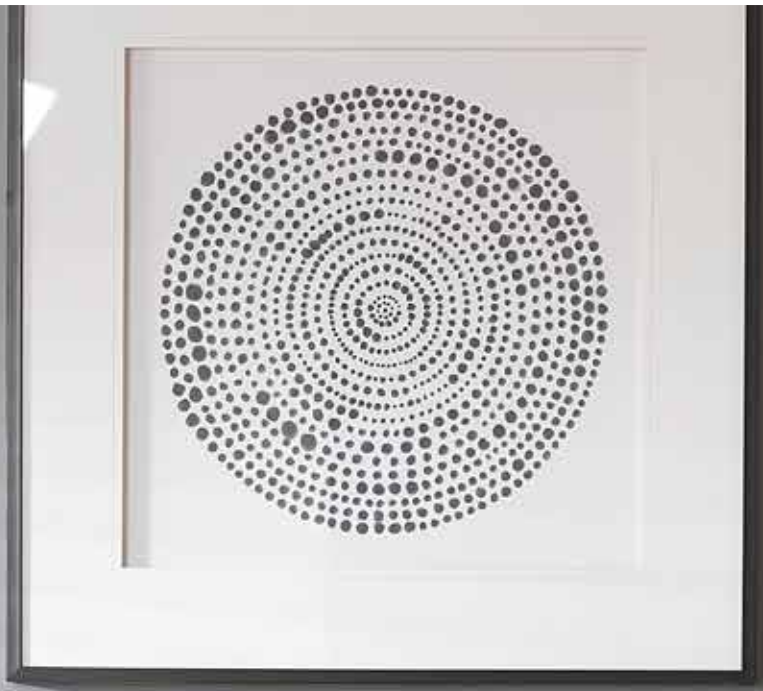
LPG Heat Output: Up to 4.5kW

Efficiency Gas Up to 79%

Efficiency LPG: Up to 79%

Controls: Manual or remote





HELIOS 5 ECO MULTIFUEL STOVE

Shown with Rustic Dark oak geocast beam, Steel Grey ceramic brick bond chamber and slabbed Diamond Quarry hearth.

Fuel Type: Multifuel*

Energy Rating: A+

Heat Output: Up to 5kW

Efficiency: Up to 82.5%

*Only wood and smokeless fuels may be used in smoke controlled areas





HEATING ELEGANCE FOR SUMMER HOUSES, STUDIOS & CONSERVATORIES

The Helios Stove is a sleek, efficient heating solution that enhances warmth, sophistication, and year-round comfort to a wide range of garden buildings. Whether you're enhancing a summer house, studio, or conservatory, this sleek and efficient heating solution creates a cosy atmosphere that extends the usability of your space well beyond the warmer months.

Complete Package: Includes all necessary components for effortless setup

- Helios 5 Eco Stove
- Roccheggiani Black Starter Pipe 5" x 450mm Roccheggiani Black Storm Collar 5"
- Roccheggiani Black Rosette 90 Degree 5"
- Roccheggiani Black Anti Draught Cowl 5"
- Roccheggiani Black Straight Pipe 950mm x 5"
- Roccheggiani Black HT Locking Band 5"
- Roccheggiani Black Adjustable Wall Bracket 5"
- Dektite Flashing 150-300 0-45 Degree Black

Add year-round warmth and style to studios, summer houses, and conservatories.





HELIOS 5 GAS STOVE

Shown with Stone geocast beam, Lucena chamber and Porcelain Slate hearth

Fuel Type: Gas/LPG

Energy Rating: D

Natural Gas Heat Output: Up to 3.8kW

LPG Heat Output: Up to 3.7kW

Efficiency Gas: Up to 81%

Efficiency LPG: Up to 79%

Controls: Manual or remote





HELIOS ECO MAX MULTIFUEL STOVE

Shown with 56" Brompton, Iced Grey Herringbone chamber and Iced Grey hearth.

Fuel Type: Multifuel*

Energy Rating: A+

Nominal Heat Output and Range: 5kW

Efficiency: Up to 86%

*Only wood and smokeless fuels may be used in smoke controlled areas





HELIOS ECO MAX GAS STOVE

Shown with Karne Honey/Black ceramic chamber and Iced Grey hearth.

Type: Gas/LPG

Energy Rating: C

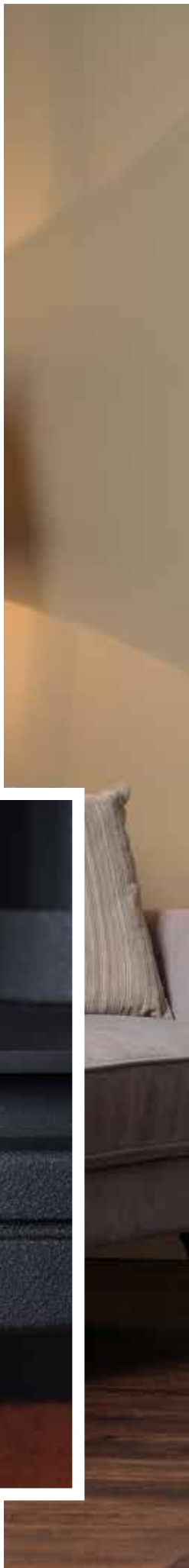
Natural Gas Heat Output: Up to 5kW

LPG Heat Output: Up to 4.9kW

Efficiency Gas Up to 80.1%

Efficiency LPG: 81%

Controls: Manual or remote





SOLANO ELECTRIC STOVE

Using cutting edge technology and innovation to provide instant heat, realistic flames, and adaptive ambiance to your living space to bring you an authentic electric stove.

Combining functionality with applied smart technology to create the ultimate home heating experience. With our electric stove, you are in control of every aspect of your appliance, from the speed, colour, and brightness of the entrancing flames to the enchanting crackling sounds of burning logs, or the complementing ambient lighting of your extended living space.

Pictured right with polished granite hearth, and grey oak timber effect beam.
Pictured below with the Solano Log Store.





TIGER CUB ECO MULTIFUEL STOVE

Ideal leisure home use and suitable for smoke controlled areas.

Fuel Type: Multifuel*

Energy Rating: A+

Heat Output: Up to 4kW

Efficiency: Up to 81%

*Only wood and smokeless fuels may be used in smoke controlled areas





DECORATIVE FLUE PIPE STOVE UPGRADE

Our decorative stove flue pipe adds the finishing touch to our Solano electric stove. Simply slot together and stand on the top of your electric stove to create an authentic looking fireplace.

- Easy installation
- 90° bend powder coated robust mild steel
- Comes complete with collar for aesthetics
- Can easily be removed if required for cleaning purposes
- Fits directly on the top of the stove, with magnetic connection to ensure stability
- Suitable for use with electric stoves only



BLACK GLASS LINER KIT STOVE UPGRADE

The Black Glass Liner adds an extra level of style to the interior, creating an elegant focal point that's perfect for all homes. The Black Glass Liner Kit transforms fit all our compact gas stoves and reflects the flame pictures on all sides to enhance the depth of the flame picture.



FIREPLACE CHAMBERS

Our extensive range of UK manufactured stove chambers and tiles offer a very simple, speedy and cost effective solution to creating the perfect fireplace opening.

With a variety of materials to choose from including natural stone and real brick, there is certainly a chamber to suit all tastes.







Karne Nut/Black Ceramic Chamber



Karne Honey/Black Ceramic Chamber



Atoll Chamber



Platinum Chamber



Marrakech White Chamber
with Charcoal Grout



Navarra Chamber



Ashbury Chamber



Iceberg Chamber



Alchemy Chamber



Mocha Chamber



Andina Chamber



Parchment Chamber



Andalusia Chamber



Lucena Chamber



Zamora Chamber



Soria Chamber



Salamanca Chamber



Toledo Chamber



Burgos Chamber



Travanite Chamber



Corten Ceramic Chamber



Obsidian Grey Chamber



Cordoba Ceramic Chamber



Vermiculite Reeded Chamber



Portuguese Limestone Block Chamber



Porcelain Slate Brick Bond Chamber



Dove Grey Chamber



Oyster Slate Staggered Chamber



Black Staggered Slate Chamber



Grey White Staggered Slate Chamber



Carmar Brick Bond Chamber



Carmar Herringbone Chamber



Urban Dusk Chamber



Urban Dusk Herringbone Chamber



Steel Grey Brick Bond Chamber



Steel Grey Herringbone Chamber



Highland Red Brick Bond Chamber



Highland Red Herringbone Chamber



Iced Grey Chamber



Iced Grey Herringbone Chamber



Reclaimed Brick Chamber



Rustic Brick Chamber

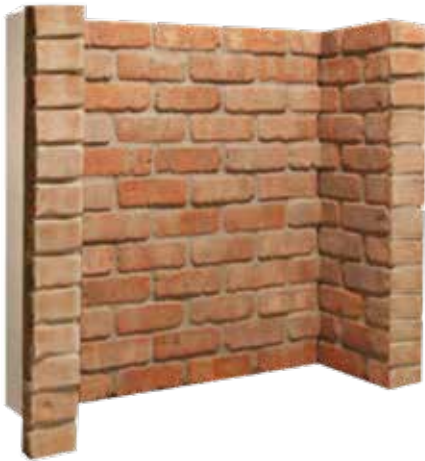
Each reclaimed brick chamber is unique, and variations in appearance, texture, and colour are to be expected. No two chambers are identical, making each one a distinct piece with its own character.



Rustic Herringbone Brick Chamber



Rustic Brick Chamber with Front & Arch



Rustic Brick Chamber with Front Returns only



Rustic Grey Brick Chamber

CHAMBER TRIM KIT

Our Chamber Trim Kit is a simple, elegant design to create a neat finish to any chamber installation. Simple to fix and the trim can be cut to size to fit any opening.





SPLIT FACE TILES



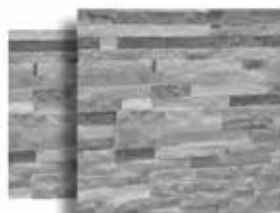
Black Split Face Panel



Oyster Split Face Panel



Dove Grey Split Face Panel



White/Grey Split Face Panel

CERAMIC CORNER TILES



Navarra



Andalusia



Zamora



Lucena



Soria

CERAMIC TILES



Navarra



Andalusia



Zamora



Andina



Lucena



Soria



Parchment



Platinum



Atoll



Steel Grey



Highland Red



Iced Grey



Urban Dusk

FIREPLACE HEARTHS

With such a varied range of hearths, we make it easy for you to create a truly unique fireplace. We offer a variety of hearths in many shapes and sizes and suitable for use with all fuel types. Please consult with your nearest Gallery approved retailer to determine the correct hearth specification for you.







Highland Red Tiled Hearth



Urban Dusk Tiled Hearth



Iced Grey Tiled Hearth



Steel Grey Tiled Hearth



Light Grey Slate Tile Hearth



Anthracite Slate Tile Hearth



Porcelain Black Slate Hearth



Natural Slate Hearth



Portuguese Limestone Hearth



Ebony Granite Hearth



Diamond Quarry Black/White Hearth



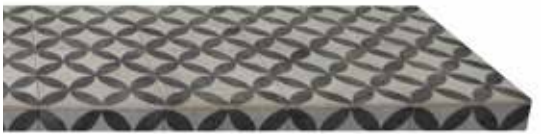
Diamond Quarry Black/Red Hearth



Harlequin Tiled Hearth



Cube Tiled Hearth



Star Tiled Hearth



Tapestry Tiled Hearth



Marrakech Tiled Hearth



Obsidian Grey Hearth



Corten Ceramic Hearth

FARMHOUSE HEARTHES

Inspired by country style decor and living, this textured limestone with its appearance of slate is warm and cosy in appearance but strong and robust in character. Honed with chiselled edges, it is blue grey in colour and looks rustic and antique in appearance. Strive to create something a little more interesting! When it comes to the layout of your hearth, you can get much more striking design with these modular multi sized pieces enabling you to produce a modular design to your specifications. With a variety of different size options for front and back hearths to suit most fireplace requirements, it's a fantastic alternative to traditional granite or slate.

All Farmhouse products are sold as individual components. Your retailer will be able to advise what best suits your requirements.

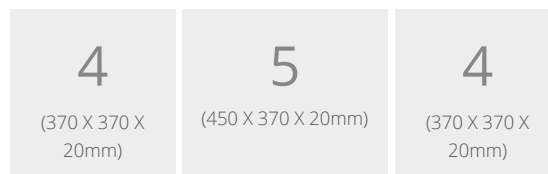


Examples of how components fit together:

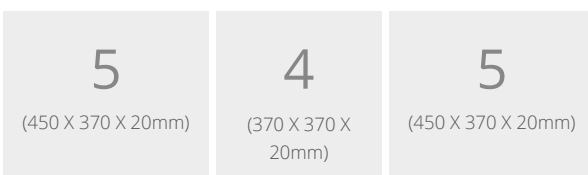
42 X 15



48 X 15



51 X 15



54 X 15



CERAMIC HEARTH TILES



Highland Red



Urban Dusk



Iced Grey



Steel Grey



Anthracite Grey



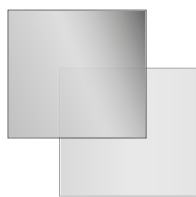
Light Grey

GLASS AND GRANITE HEARTHES

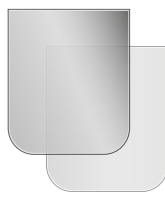
These high quality glass & granite hearths are a contemporary alternative to complement any multifuel or wood burning stove.

The glass hearths are constructed from 12mm toughened glass and are available in smoked or transparent glass. The granite hearths are constructed from 20mm natural black granite and are available honed or polished. There are six shapes available to choose from:

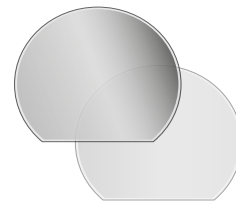
(* = available in glass only)



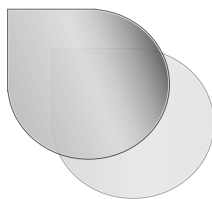
Square



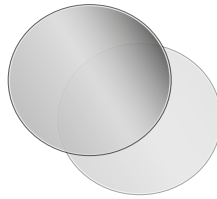
Semi Circle



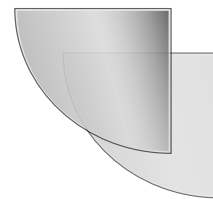
Truncated



Teardrop



Circular*



Quadrant*

ELEVATE YOUR STOVE WITH THE TILED BACK AND HEARTH SET

The Atlas set offers a sophisticated blend of function and flair, designed to enhance any interior while complementing a wide range of stove installations. Available in a handpicked selection of premium tile finishes, each set is framed with a sleek, high-gloss trim that adds a contemporary edge to your fireplace.

Once installed, due to the integrated air vents, it allows for circulation and sufficient air for cooling, ensuring safe operation, making it as practical as it is visually striking. Whether undertaking a renovation or installing a new appliance, the Atlas set delivers a seamless experience with the following key benefits:

- DIY Friendly – Designed for ease of installation, enabling a professional finish
- Clean & Hassle-Free – No mortar, no mess, and no disruption to your home environment
- Quick & Reliable – A secure two-screw fixing system ensures stability and precision with minimal effort
- Cost Effective – Achieve a premium aesthetic while significantly reducing installation costs
- Safe & Compliant – The dynamics of the integrated air vents allow for cooling when the appliance is in operation
- Durable & Robust – Constructed from high-quality materials to withstand heat and everyday wear
- Wide Style Range – Available in ten distinctive styles to suit both traditional and contemporary décor
- Low Maintenance – Easy to clean and maintain
- DIY Friendly – Designed for ease of installation and complete with a handy fixing template tool, enabling a professional finish without specialist tools or expertise

The Atlas set is more than a fireplace solution, it is a statement of quality, efficiency, and timeless design.





Highland Red



Urban Dusk



Iced Grey



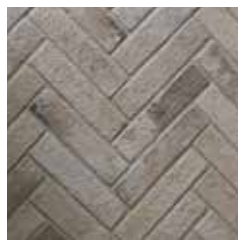
Steel Grey



Highland Red
Herringbone



Urban Dusk
Herringbone



Iced Grey
Herringbone



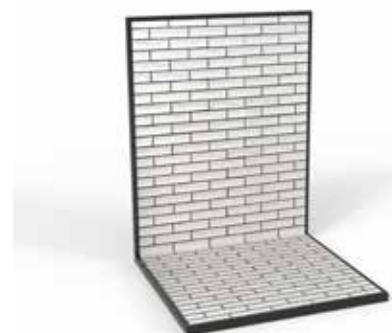
Steel Grey
Herringbone



Marrakech
(Also available as
Herringbone)



Porcelain Slate
(Also available as
Herringbone)



FIREPLACE BEAMS

We offer a selection of fireplace beams made from either natural or man-made materials. The realistic oak effect fireplace beams now look even more realistic than ever before and are available in light and dark oak effect. Available in 48" and 54" with or without downlights they are lightweight and moulded from three separate natural oak beams. Newly developed, the material is composed of natural inorganic minerals which is non-toxic and unburnable offering many advantages over wooden beams.

Please note that the colours, finishes, and appearances of beams depicted in this brochure are for illustrative purposes only. Each beam is hand-painted, meaning variations in shading, texture, and overall finish are to be expected. Due to differences in materials, manufacturing processes, and lighting conditions, actual product colours may differ from those shown. These discrepancies do not affect the structural integrity or performance of the beams.





48" or 54" Dark Oak Timber Effect Beam



48" or 54" Grey Oak Timber Effect Beam



48" or 54" Light Oak Timber Effect Beam



48" or 52" Rustic Dark Oak



48" or 54" Rustic Natural Oak



48" or 54" Contemporary Beam



42", 48" or 54" Dark Geocast Oak Beam



42", 48" or 54" Light Geocast Oak Beam



48" Stone Beam



48" or 54" Dark Geocast Oak Beam with lights



48" or 54" Light Geocast Oak Beam with lights



Small Decorative Beam Bracket



Large Decorative Beam Bracket

TECHNICAL INFORMATION

From intricate spare parts, research and development to advice on installation, design and comprehensive chimney systems, the technical team are a go-to resource for customers with a combined experience of over 165 years in the gas and solid fuel industry.





DETERMINE YOUR CHIMNEY

The Chimney or flue in your house will normally determine what kind of fire you will choose.

STEP ONE:

Identify which type of chimney you have or whether you have no chimney using the information below.



CLASS 1 CHIMNEY:

Commonly in older houses, earlier than 1960. The Class 1 chimney is identifiable by 7" (180mm) or greater diameter flue. The existing chimney must be structurally sound, please check before the installation of a new fireplace.



CLASS 2 CHIMNEY:

Either an older house where the existing chimney has been lined by a proprietary steel flue or a newer house with a steel flue built in. This chimney type is identifiable by a 5" (130 mm) diameter flue and a steel flue terminal.



PRE-CAST FLUE:

Modern houses generally later than 1960 often have a pre-cast concrete chimney system, identifiable by a rectangular box section flue and a terminal, as illustrated in the picture above.



NO CHIMNEY:

Modern houses often have no chimney. You can use a modern decorative electric fire, either with no heat for aesthetics or an efficient fire with up to 2kW heat output.

STEP TWO:

Now you know what type of chimney you have (or if you have no chimney) you can decide on the type of fire and preferred source of fuel. Ensure that the fire can be matched with a suitable suite combination.

FIRE TYPE	CLASS 1 CHIMNEY	CLASS 2 CHIMNEY	PRE CAST	NATURAL GAS	LPG	NO CHIMNEY REQUIRED
Full depth HE Glass fronted inset	✓	✓	✓	✓	✗	✗
Full depth Open fronted inset	✓	✓	✓	✓	✓	✗
Decorative gas fire	✓	✗	✗	✓	✓	✗
Electric inset	✓	✓	✓	N/A	N/A	✓*
Gas Baskets	✓	✓**	✗	✓	✓	✗
Electric baskets	✓	✓	✓	✓	N/A	✓
Gas Stoves	✓	✓	✓***	✓	✓	✓****
Solid Fuel Stoves	✓	✗	✗	N/A	N/A	✓*****

* No opening in the wall required for installation
 ** Under 6.9kw only
 *** Specific Gas stoves only please see details of appliance

**** Selected products available in balanced flue options
 ***** Can be installed to a twin wall flue system

Please note, this information is provided as a guide. Please check the appliance instructions for details of the installation requirements.

FIRE TYPES

The Gallery Collection offers a choice of gas or electric appliances to suit almost every chimney flue type. Below is an explanation of how each of these engines differ from one another. Please see the table below for an overview of their key features.



HIGH EFFICIENCY GLASS FRONTED

Featuring a glass fronted, full depth ceramic coal fuel bed, these engines are the most efficient of all fire types.



CLASS 1 OPEN FRONTED CONVECTOR

A full depth fire suitable for Class 1 chimneys. Convector fires offer greater efficiency ratings than standard open fronted fires. Manual or slide control options available.



DECORATIVE GAS FIRE

A full depth fire suitable for Class 1 chimneys. The key difference with this type of fire is that it does not feature a canopy and produces radiant heat only.



INSET ELECTRIC FLAME EFFECT FIRE

The inset electric fire features our latest innovative multi-colour way flame technology. This versatile fire has an impressive range of up to 2kW heat output and is available with a range of contemporary and traditional trims to choose from.

TECHNICAL FRAME, TRIM & FRET INFORMATION

The table below explains which frames, trims and frets are available for each particular fire and colour.

FIRE TYPE	FULL DEPTH HE GLASS FRONTED INSERT	FULL DEPTH OPEN FRONTED INSET	DECORATIVE GAS*	ELECTRIC*
Max Output (kW)	4.00	3.76	1.38	2.00
Efficiency	80%	54%	20%	100%
ERP	C	F	N/A	N/A
Apollo	Highlight	Highlight	N/A	N/A
Aurora	Gold/Chrome	Gold/Chrome	x	x
Baltimore	x	x	Black/polished	x
Bauhaus	x	x	Black with brass finials/antique brass/brass/highlight with polished finials	Brass
Blenheim	x	x	Polished	Brass
Clevedon	x	x	Polished	x
Eos	Antique Brass/Chrome	Antique Brass/Chrome	x	x
Grace	x	x	Chrome/black/polished/brass	x
Hopton	x	x	x	Black/ Brushed Stainless Steel
Solaris	Chrome/Black/Gold	Chrome/Black/Gold	x	x

*This product is not suitable for primary heating purpose.

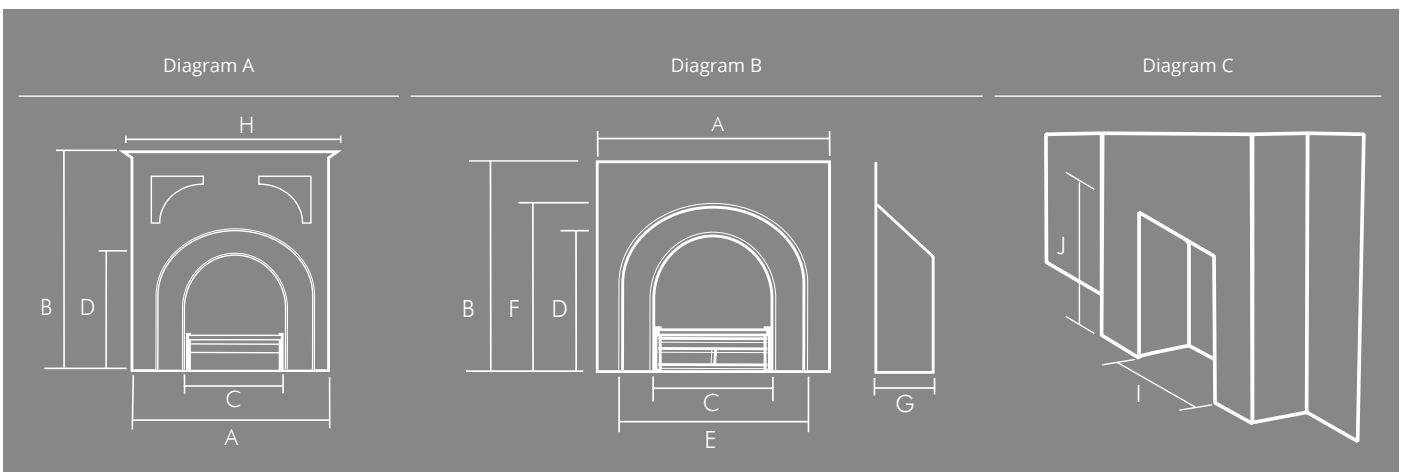
INSERTS, FASCIAS & COMBINATIONS

INSERT	DIAGRAM REFERENCE	FINISH				GAS											CAST BACK AVAILABLE	FOR STANDARD BACK		CLASS 1	CLASS 2	PRECAST	ELECTRIC	BALANCED FLUE
		BLACK	HIGHLIGHT	POLISHED	TRADITIONAL	A	B	C	D	E	F	G	H	I	J									
Arched Inserts																								
Bolton †	B & C	x	✓	x	x	940	940	450	545	785	825	205	x	✓	560	720	✓	✓	x	✓	x			
Crown †	B & C	✓	x	x	x	940	940	430	660	835	855	240	x	✓	560	720	✓	✓	x	✓	x			
Crown 40" X 40" †	B & C	x	✓	x	x	1015	1015	430	660	835	855	240	x	✓	560	720	✓	✓	x	✓	x			
Jubilee* †	B & C	x	✓	x	x	940	940	450	670	790	830	270	x	✓	620	725	✓	✓	x	✓	x			
Landsdowne †	B & C	x	✓	x	✓	960	960	450	685	800	840	285	x	✓	620	725	✓	✓	x	x	x			
Lytton †	B & C	✓	✓	x	x	940	940	445	660	785	825	205	x	✓	560	720	✓	✓	x	✓	x			
Traditions †	B & C	✓	✓	x	x	965	965	430	610	890	830	335	x	✓	550	620	✓	x	x	x	x			
Tiled Inserts																								
Normandy	B & C	✓	x	✓	x	1016	1016	393	540	889	895	275	x	✓	470	615	✓	✓	x	x	x			
Sovereign †	B & C	✓	x	x	x	940	940	405	560	875	900	275	x	✓	470	615	✓	✓	x	✓	x			
Tulip †	B & C	x	✓	x	x	940	940	405	560	850	875	275	x	✓	470	615	✓	✓	x	✓	x			
Fascias																								
Hamilton †	B	x	✓	x	x	940	940	425	575	790	840	40	x	x	x	x	x	x	x	x	x			
Monroe †	B	x	✓	x	x	965	965	425	570	840	830	65	x	x	x	x	x	x	x	x	x			
Combinations																								
Nottage †	A & C	✓	x	x	x	760	980	365	660	x	x	160	815	✓	455	700	✓	✓	x	x	x			
Pembroke* †	A & C	✓	x	x	x	1040	1040	445	660	x	x	210	1205	✓	620	725	✓	✓	x	✓	x			
Tregaron †	A & C	x	✓	x	x	840	1005	445	545	x	x	165	915	✓	560	720	✓	✓	x	✓	x			
Higher Performing																								
Jubilee HP	B	x	✓	✓	x	940	940	455	490	800	855	x	x	x	x	x	✓	✓	✓	x	✓			
Lytton HP	B	x	✓	x	x	940	940	455	490	800	855	x	x	x	x	x	✓	✓	✓	x	✓			
Toulouse HP	B	x	✓	x	x	960	940	510		885	870	x	x	x	x	x	✓	✓	✓	x	✓			

*Available with deeper back for larger burning area.

† This product is not suitable for primary heating purpose.

Please note, the precast option on the HP cast inserts is available in slimline options only.

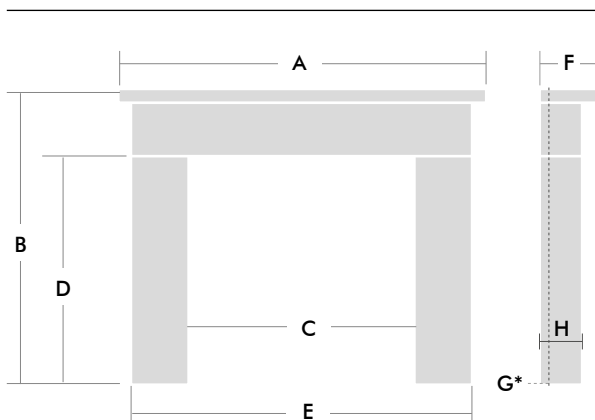


MANTEL INFORMATION

MANTEL	AGEAN LIMESTONE	PORTUGUESE LIMESTONE	KALLOS MARBLE	CALACARRA MARBLE	PERSIAN GREY	PAINTED	CAST IRON	A	B	C	D	E	F	G	H
Asquith	✓							1405	1235	915	915	1235	215	70	160
Bartello	✓					✓		1370	1165	910	910	1254	200	75	130
Brompton 51" ^u	✓							1295	1110	864	890	1194	200	70	145
Brompton 56" ^u	✓		✓		✓			1420	1136	915	915	1335	200	70	150
Brooksby			✓	✓				1315	1115	900	900	1315	135	75	207.5
Chiswick			✓					1420	1121	915	915	1306	230	70	165
Kingston 56" ^u			✓					1420	1135	915	915	1315	260	75	180
Palmerston 48"							✓	1219	1270	787	889	1080	260	75	140
Palmerston 54"							✓	1372	1270	915	915	1220	260	75	140
Richmond ^u			✓					1372	1155	915	915	1258	220	75	125

^u These mantels have the added benefit that the legs can be moved further apart by up to 50mm if required

Diagram D



NOTES

All dimensions are provided in mm as a guide only and are subject to a tolerance of ± 12 mm.

It is normal for tiles to craze over time.

Most fires have a remote control option, please ask your retailer.

All products (except chrome finishes and Efficiency Plus fires) are suitable for burning solid fuel, however polished and highlighted products may tarnish. Only burn small fires to start with in order to temper the cast iron.

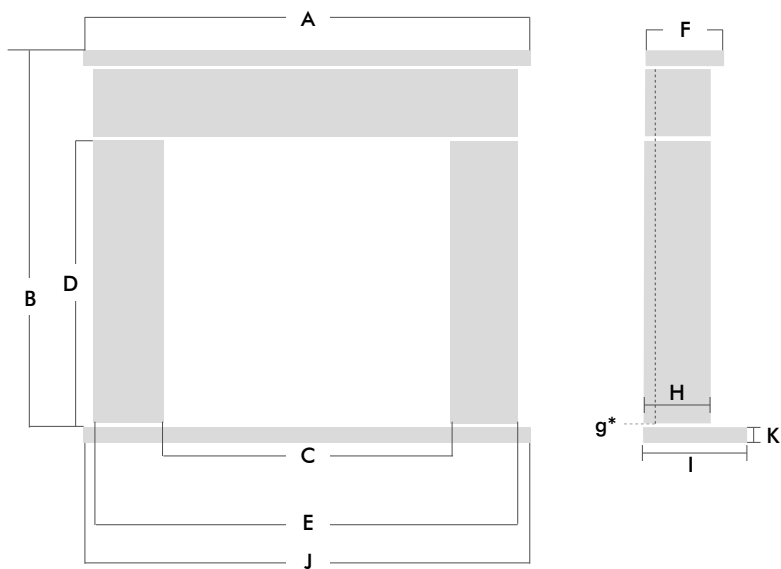
Before committing to a fireplace, please discuss your particular installation with your retailer who will provide expert advice and carry out a survey.

*G refers to the rebate measurement (distance from wall to the back of the inside leg return).

FIREPLACE & SUITES INFORMATION

SUITE	A	B	C	D	E	F	G	H	I	J	K	PORTUGUESE LIMESTONE	ARCTIC WHITE MICRO
Cartmel 48	1220	1040	762	810	1150	180	75*	140	380	1220	51	✓	✓
Coniston 54	1370	1120	804	866	1270	200	75	150	380	1370	51	✓	✗
Cranbourne 44	1120	927	622	673	1016	184	75	120	380	1120	51	✓	✗
Dacre 54	1370	1113	865	840	1265	200	75	143	380	1370	51	✓	✗
Durrington 48	1220	1020	760	760	1120	150	75*	115	380	1220	51	✓	✓
Riverslea 48	1226	1036	680	775	1110	190	75	135	380	1220	55	✗	✓

*Standard Cartmel & Durrington 48 suites come with 3" rebate. Models with feature spot lights come with 1" rebate.



NOTES

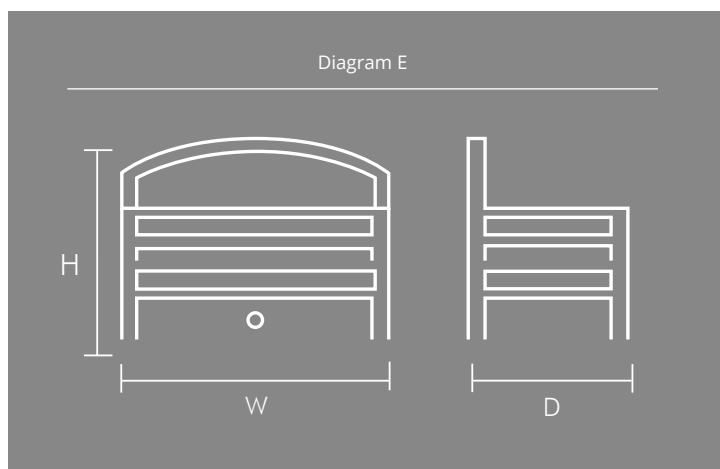
Portuguese Limestone models come with Three-piece back panels.

The Durrington 42 and the Cranbourne models come supplied with three-piece panels in all materials.

*G refers to the rebate measurement (distance from wall to the back of the inside leg return)

FIRE BASKET INFORMATION

BASKET	FINISH					DIMENSIONS			CLASS 1	CLASS 2	ELECTRIC
	POLISHED	BLACK	CHROME	HIGHLIGHT	ANTIQUE	W	D	H			
Castle †	x	✓	x	✓	x	570	280	370	✓	x	x
Cromwell 16" ** †	x	✓	x	x	x	370	260	175	x	x	x
Cromwell 18" ** †	x	✓	x	x	x	450	320	190	x	x	x
Elan with no back # †	✓	✓	x	x	x	435	300	220	✓	✓	✓
Elan with back # †	✓	✓	x	x	x	435	300	380	✓	✓	✓
Krypton with no back †	x	✓	x	x	x	530	265	190	✓	x	x
Krypton with back †	x	✓	x	x	x	530	265	230	x	x	x
Matrix with back †	x	✓	x	x	x	520	300	395	✓	x	x
Queen Anne †	x	x	x	x	✓	590	280	585	✓	✓	x
Valencia 16" no back †	x	✓	x	x	x	410	585	220	✓	✓	✓
Valencia 18" no back # †	x	✓	x	x	x	470	325	200	x	✓	✓
Valencia 18" with back †	x	✓	x	x	x	470	300	475	✓	✓	✓
Valencia 21" no back †	x	✓	x	x	x	550	325	220	✓	x	✓
Valencia 21" with back †	x	✓	x	x	x	550	290	505	✓	x	✓



NOTES

- * Available with deeper back for larger burning area
- # High definition log set available for these baskets
- ** Available only for solid fuel use.
- † This product is not suitable for primary heating purpose.

STOVE INFORMATION

STOVE	FUEL TYPES	OUTPUT (UP TO)	EFFICIENCY (UP TO)	ERP RATING	CLEAN BURN	SIA	COLLAR SIZE	FLUE LINER SIZE	TOP FLUE	REAR FLUE
Classic 5 Eco	Multi*	5.0kW	82.5%	A+	✓	✓	125mm	5"	✓	✓
Classic 5 Gas	Gas/LPG	3.8kW NG 3.7kW LPG	81% NG 79% LPG	D	N/A	N/A	125mm	5"	✓	✗
Classic 8 Eco (Black/Warm White)	Multi*	*2.5kW - 8.0kW	84%	A+	✓	✓	125mm	5"	✓	✓
Classic 8 Gas	Gas/LPG	4.8kW NG 4.5kW LPG	79% NG 79% LPG	E	N/A	N/A	125mm	4" & 5"#	✓	✗
Darwin Balanced Flue Gas	Gas/LPG	5.6kW/4.5kW	75% / 68%	D/B	N/A	N/A	100-150mm***	N/A	✓	✗
Darwin Conventional Flue Gas	Gas/LPG	4.3kW/4.9kW	74%	D/B	N/A	N/A	125mm	4"	✓	✗
Firefox 5 Eco	Multi*	5.0kW	82.5%	A+	✓	✓	125mm	5"	✓	✓
Firefox 5 Gas	Gas/LPG	3.8kW NG 3.7kW LPG	81% NG 79% LPG	D	N/A	N/A	125mm	5"	✓	✗
Firefox 8 Eco	Multi*	2.5-8.0kW	84%	A+	✓	✓	125mm	5"	✓	✓
Firefox 8 Gas	Gas/LPG	4.8kW NG 4.5kW LPG	79% NG 79% LPG	E	N/A	N/A	125mm	4" & 5" #	✓	✗
Helios 5 Eco	Multi*	5.0kW	82.5%	A+	✓	✓	125mm	5"	✓	✓
Helios 5 Gas	Gas/LPG	3.8kW NG 3.7kW LPG	81% NG 79% LPG	D	N/A	N/A	125mm	5"	✓	✗
Helios Eco Max	Multi*	5kW	86%	A+	✓	✓	125mm	5"	✓	
Helios Eco Max	Gas/LPG	5kW NG 4.9kW LPG	80.1% NG 81% LPG	C	N/A	N/A	125mm	5"	✓	✗
Solano	Electric	0.9-1.8kW	100%	N/A	N/A	N/A	N/A	N/A	N/A	N/A
Tiger Cub	Multi*	4kW	79%	A	✓	✓	125mm**	5"	✓	✓

* Only wood and smokeless fuels may be used in clean burn mode

** 100mm - when fitted into a shed, inland marine craft or other buildings for occasional use. 125mm - when fitted into a standard brick built property.

**** Concentric Flue

Depending on installation

STOVE CARE

It is your responsibility to burn the correct fuels at all times, more importantly if you live in a smoke controlled area. High temperature burning fuels can cause damage to your stove and the environment. For guidance on the best fuels to use please refer to the recommendations of the Solid Fuel Association www.solidfuel.co.uk and always use approved fuel, in accordance with the manufacturer's instructions.

No responsibility can be accepted if high temperature fuels have been used or if the draught reading on the appliance is not in accordance with the manufacturer's instructions, current standards and building regulations. For the future longevity of your grate, clean the ash away regularly as a build-up beneath the fire will cause the grate to burn out quickly. The grate is a consumable part of your fire and will need replacement from time to time, depending on the frequency, fuel used and burning temperature of your fire.

Most stoves have a riddling grate mechanism to ease de-ashing. Always ensure that ash is removed from your stove (once cooled) regularly. When a build-up of ash occurs, this will affect the life of the consumable parts. Gallery stoves (excluding gas) utilise an 'air wash' system which helps to keep the large viewing glass clean during operation and improve efficiency.

All Gallery stoves are manufactured from cast iron and it is vital that appliances undergo a period of 'burning in'. This involves small fires initially and then gradually increasing in size with each firing. If this process is adhered to then you should experience years of trouble free and enjoyable use.

All Gallery stoves are CE approved to EN13240 and are suitable for use with a variety of fuels such as wood, coal, coke, peat, anthracite or smokeless fuels. This does not include house coal due to the volatile temperatures.

For safety, all Gallery solid fuel stoves are supplied with a heat resistant glove, it is always advisable to use this glove when operating the stove as it will become extremely hot during use.

STOVE DIMENSIONS

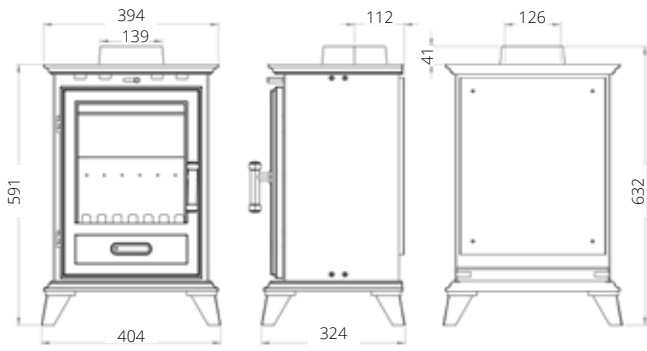
All dimensions are in mm. Due to manufacturing processes, all measurements are approximate and may vary slightly. Please allow for a tolerance of plus or minus 12mm.

Please see the table on page 132 for installation details in relation to the flue configuration of our stoves, specifically in relation to top and rear flue outlets. The Tiger Gas and Firefox 8 Gas models have a 150mm flue collar but require a 125mm flue. The collar should be packed with rope/fire cement or sleeved with a 6" vitreous pipe to finish.

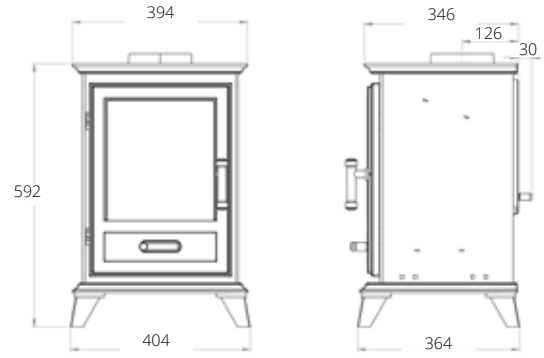
It is essential that your stove is installed in accordance with Building Regulations and any other standard requirements by a competent person with experience in fitting fireplaces - your retailer will be able to help you select an appropriately qualified installer.



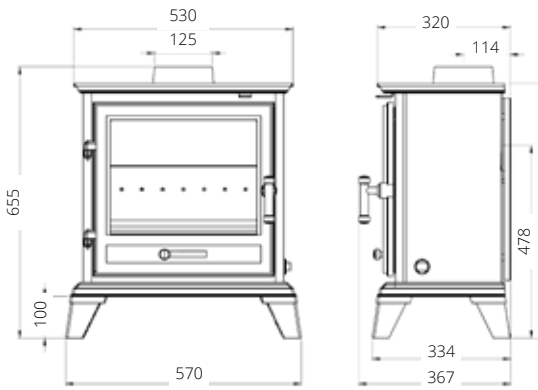
Classic 5 Eco



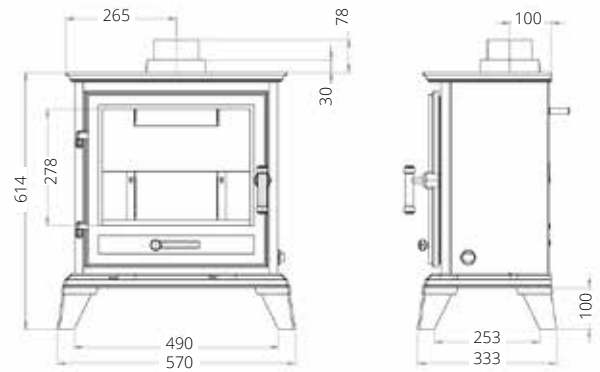
Classic 5 Gas



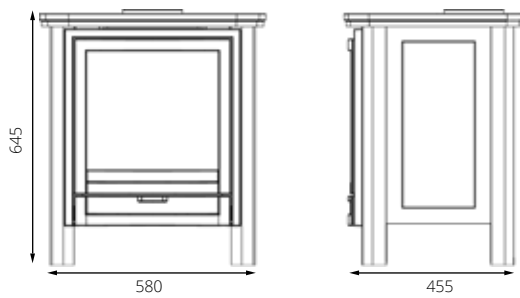
Classic 8 Eco



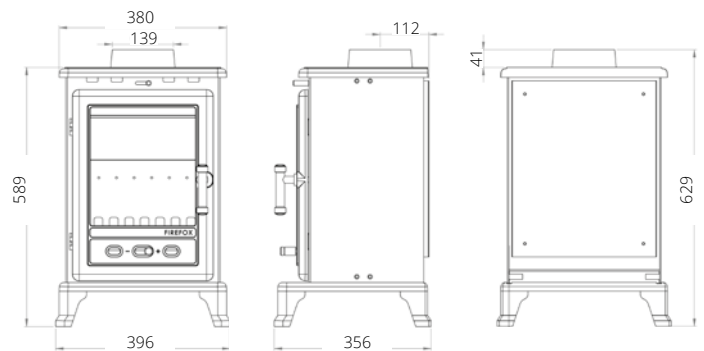
Classic 8 Gas



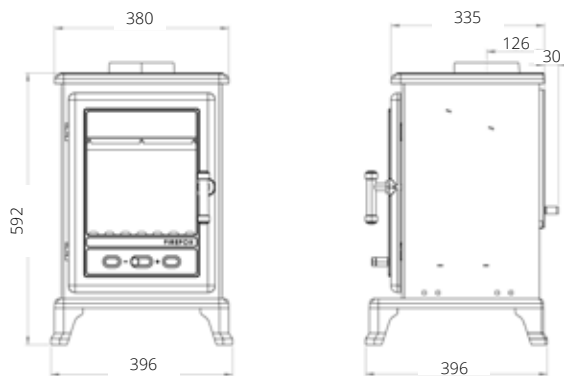
Darwin Gas



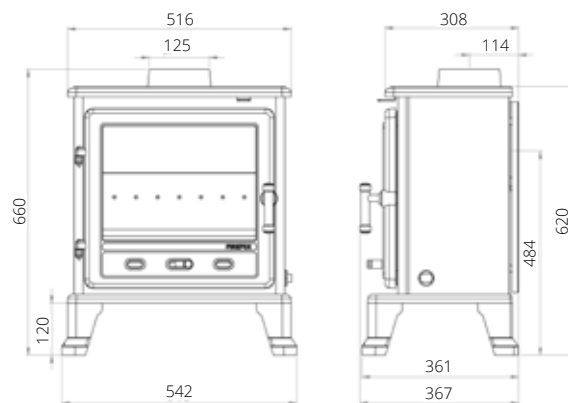
Firefox 5 Eco



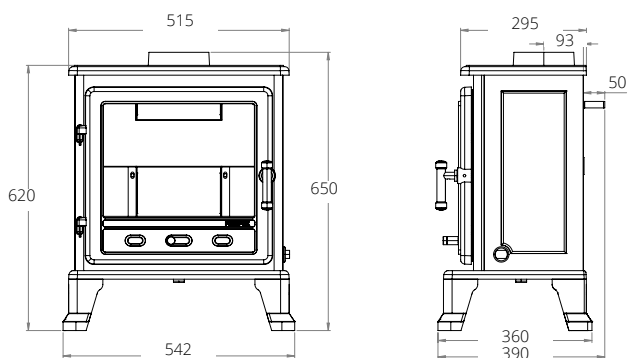
Firefox 5 Gas



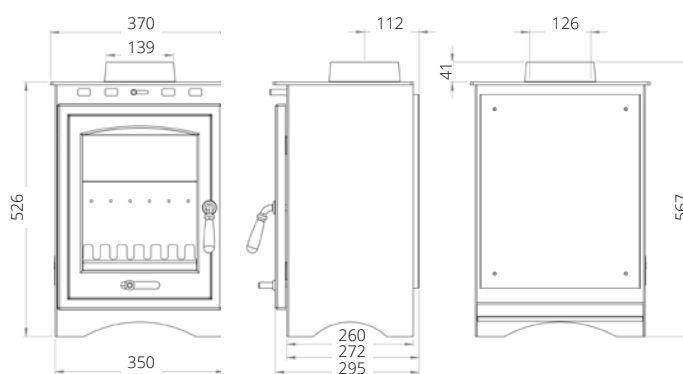
Firefox 8 Eco



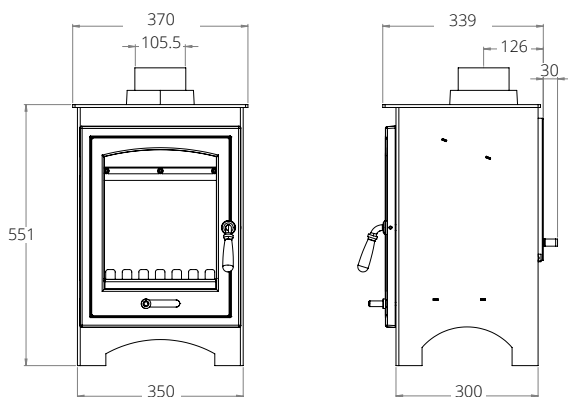
Firefox 8 Gas



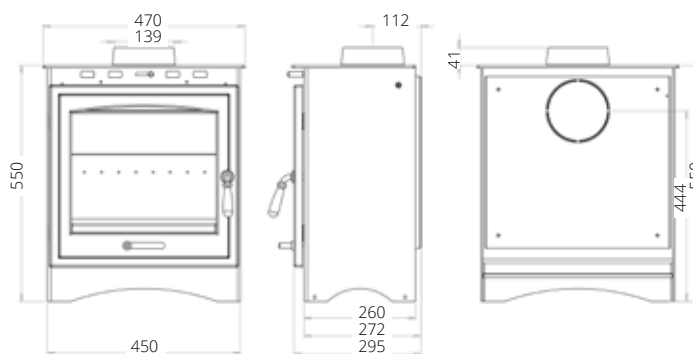
Helios 5 Eco



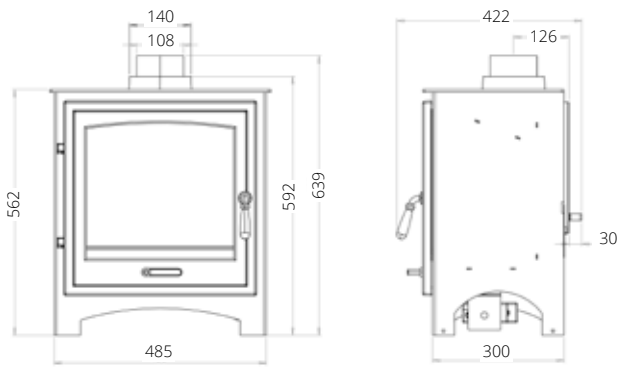
Helios 5 Gas



Helios Eco Max

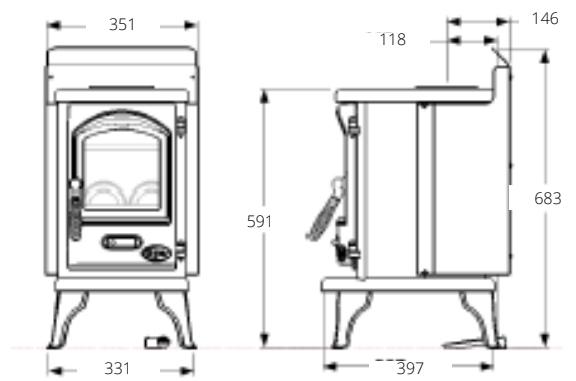


Helios Eco Max Gas

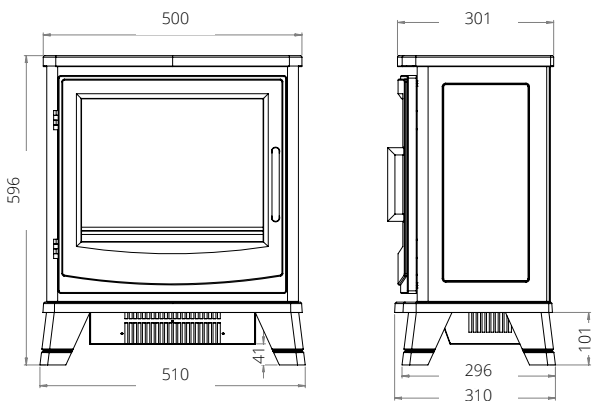


Tiger Cub

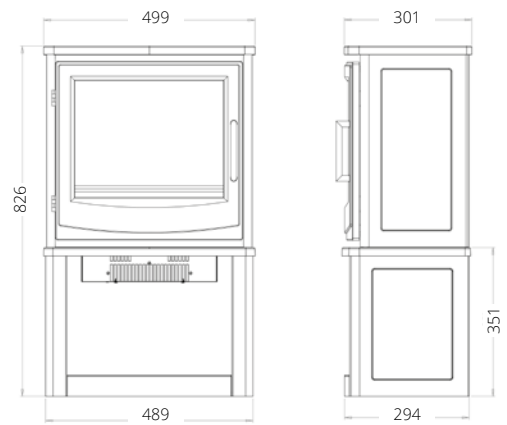
Shown with optional rear heat shield



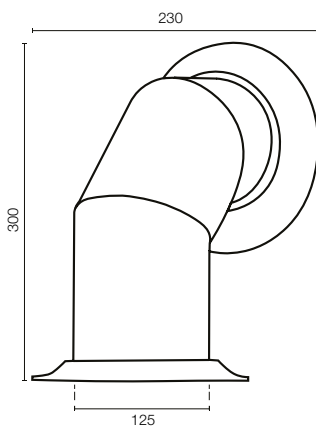
Solano E



Solano E with Logstore

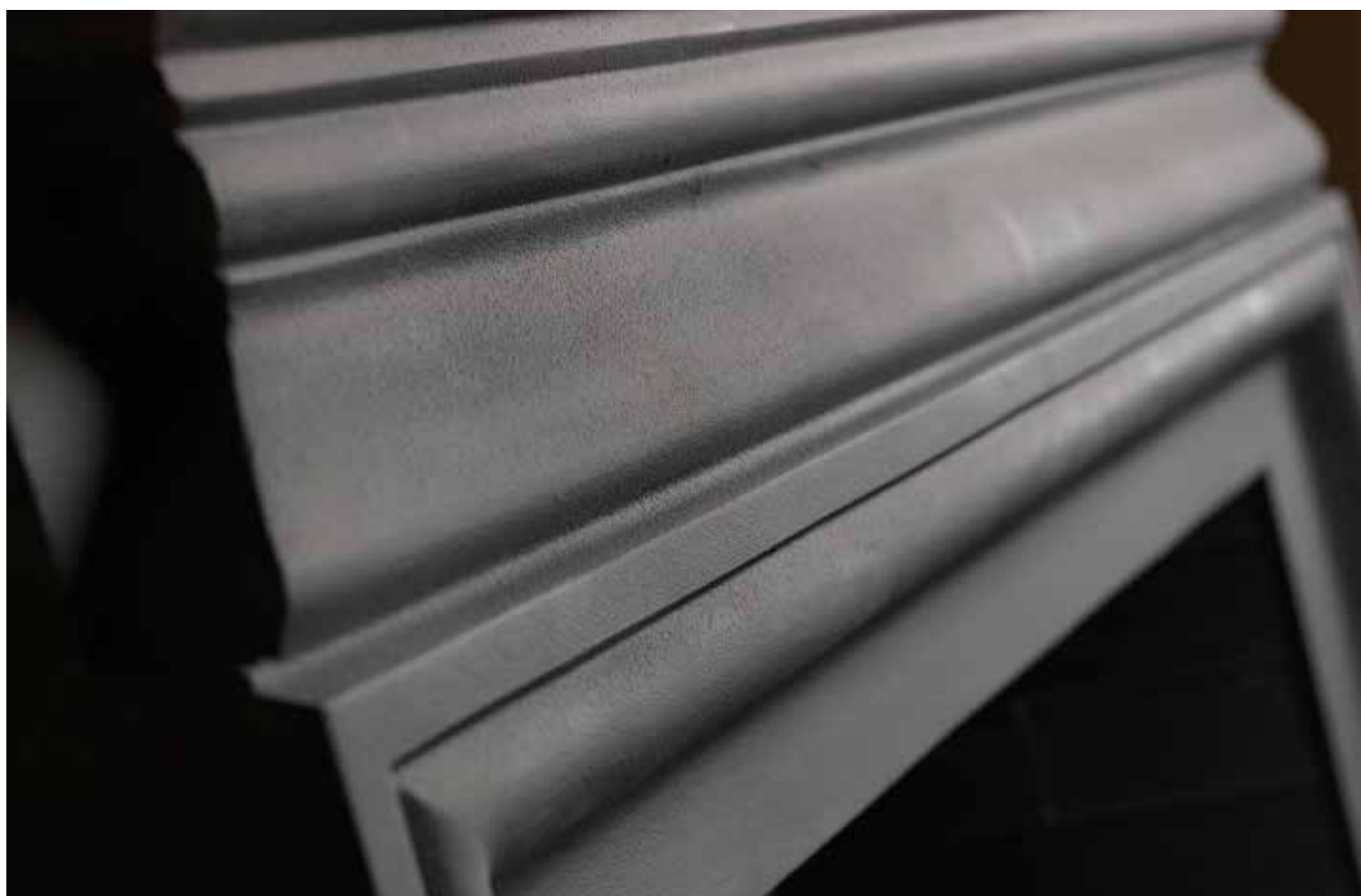


Decorative Pipe



AFTERCARE AND MAINTENANCE

- Cast Iron
- Ceramic Fuel Beds
- Micro Marble
- Marble
- Limestone
- Painted Mantels



CAST IRON

All the cast iron products are delivered with a protective, oil-based coating on polished surfaces. This should be cleaned off during the installation. It is recommended that a spray-type oil is applied from time to time in order to avoid surface rust appearing. Ensure that the room in which the cast iron product is being installed is thoroughly dry. For example recently plastered walls cause high levels of moisture in the atmosphere and, as a result, rust is likely to occur. Under no circumstances should a water-based cleaner or polish be used to clean cast iron products.

It is your responsibility to burn smoke free fuels if you live in a smoke free zone. There are some very high temperature burning fuels which can cause damage to any fireplace. Please refer to the Solid Fuel Association (www.solidfuel.co.uk) recommendations and use an approved coal merchant as your supplier.

No responsibility can be accepted if high temperature fuels have been used or if there is excessive draft. If in doubt we recommend the use of a clay fire back. Clean ash away regularly as a build up beneath the fire will cause the grate to burn out quickly. The grate is a consumable part of your fire and will need replacement from time to time, depending on the frequency and burning temperature of your fires.



CERAMIC FUEL BEDS

When using ceramic fuel beds, ensure that these do not touch any of the polished surfaces in order to minimise the risk of thermal discolouration. The ceramic black and graphite products are coated with a high temperature paint and during their natural burning lifecycle eventually the paint can burn off, exposing the raw material. To restore the finish a proprietary, high temperature paint can be used to re-coat the product and this paint is available from your local retailer.



MICRO MARBLE

Micro Marble has a surface that is extremely durable however liquids which have a strong acidic content for example citrus juices may attack and discolour the surface therefore care must be taken with any spillages of this nature. In order to maintain its subtle shine and appearance, occasionally spray with a general household polish and buff with a soft dry cloth. Do not use any bleach or abrasive cleaning agents, as these could damage the surface or dull the appearance of the material.



MARBLE

Marble hearths are a beautiful investment and as such require regular maintenance and care to continue looking its best. Care must be taken when lighting candles to avoid spilling wax on the surface and the hearth must be protected when placing tea lights. Our best advice is to clean up any spillages as soon as they happen, as the porous surface of a granite or marble can mean that stains can happen quickly, therefore it's important to remember to soak up a spill with a clean dry cloth or sponge whenever they happen. By wiping the surface down with a warm damp cloth and then use a soft dry cloth to buff to a shine depending on the finish, when you're tidying your home, will enable you to keep it looking pristine.



LIMESTONE

Limestone is a naturally porous sedimentary rock, therefore it is important not to spill any liquid types especially liquids of colour as these can often leave a prominent stain. In the event of a spillage, our best advice would be to contact our technical team for guidance. In the event of any damage occurring by way of a chip or a minor scratch then a fine wet and dry sandpaper can be applied with care in order to achieve the best results.

Limestone products, once installed and dry should be cleaned and sealed where necessary using Gallery Collection aftercare products. Your installer should carry out the initial sealing where applicable.

The stone mantels pictured are manufactured from 100% natural material. As such the mantel you will purchase will be unique due to the inevitable variations in fossil formation, veining and colour. This is one of the great attractions of 100% pure natural products. Please be aware that small fossils and variations in the limestone are part and parcel.



PAINTED MANTELS

When caring for your elegantly crafted painted mantel and in order to maintain its beautiful appearance, regular cleaning should be completed with a soft cloth using a mild household cleaner or polish. Water and ammonia-based cleaners should be avoided, water can sometimes be absorbed which can damage the surface. Ammonia based products can attack the protective lacquered coating and cause a dull cloudy appearance if used.



INSTALLATION

Your Gallery fireplace is made up of a number of different components and it is important to ensure that your installer has the necessary qualifications and experience to fit ALL the components of a fireplace.

All gallery appliances are supplied with detailed, comprehensive installation and user instructions. All installations must be in accordance with the manufacturer's instructions, current building regulations and subsequent British standards. The installation should only be carried out by a qualified competent persons. For all gas appliances, a Gas Safe registered engineer and for solid fuel, a HETAS registered engineer. Failure to comply with these requirements may render the appliance unsafe in the first instance, impede on the efficiency and serviceability of your appliance and ultimately invalidate any warranty.

All installers in order to satisfy the terms and conditions of our warranty must be registered with the appropriate regulating bodies as deemed by Percy Doughty. All gas installers within the UK must be registered with the Gas Safe Register. In the Republic of Ireland the Board Gais and for solid fuel installations all installers must be registered with HETAS and for Scotland be compliant with the current Technical Handbook – Domestic.

It is important that you retain all documentation following the installation as this will be required in order to activate the warranty if needed. The documentation should be supplied by building control following successful registration of each installation by the installer, for both gas and solid fuel appliances together with any commissioning certificates, benchmarks and service records completed in the rear of the installation manual. It would be the responsibility of the installer to provide all the necessary information, however in some circumstances where documentation is absent then communications with your local building control officer may be beneficial, for solid fuel installations only.

When installing any Granite, Slate or Limestone hearth please ensure the area is flat and free from debris and dust, preferably to be situated on a concrete sub hearth. We would also recommend that the under surface only is primed/sealed with a suitable PVA glue or equivalent and left to dry sufficiently, prior to bedding down. The hearth would then need to be bedded down on a strong sand and cement bed with a medium consistency, taking into account the need to fill any voids, spaces and support points to accommodate the safe functioning of the whole installation when completed. We would also advise that when installing the mantel, always prime and seal the under surface that will come into contact with any adhesive or water based mixes. Failure to adhere to the advice given may result in moisture patches appearing that may stain and damage the material, these effects may be irreversible and render the installation unfit for purpose.

Marble and micro marble are not suitable for solid fuel applications. The colours shown in this brochure are as accurate as possible. If the colour you require is critical then please consult your retailer before making your decision.

When you are identifying your chimney please see page 126 in the brochure. If you are not clear please consult your HETAS or Gas Safe Registered (Board Gais in Republic of Ireland) installer or your approved stockist.

Gas fires within The Gallery Collection with a gas input of 6.9kW or less do not normally require additional ventilation, however there are some circumstances where additional ventilation may be required. This would be determined by your installer when completing a survey before installation. For appliances with an input of 6.9kw or over, please ask your retailer for further information on the additional ventilation requirements.

When fitting a decorative gas fire within a basket the manufactures instructions and current British standard BS 5871 Part 3, must be followed, and in doing so a risk assessment must be completed by the installer to ensure that a sufficient gap is provided around the basket when placed inside the builders opening or purpose built fire chamber. This is essential for the adequate service and future maintenance of the appliance and also allowing for good access to the controls. It is also important for air flow cooling around the appliance basket, which would also allow for the best possible flame picture. It is also an important consideration to ensure the correctly rated materials have been used within the builders opening or purpose built chamber.

Your new gas appliance will require an annual service and maintenance but not limited to, dependent on use. It is a requirement of the warranty that this is carried out by a qualified competent person registered with the appropriate regulatory body as deemed by Percy Doughty. In doing so will help you enjoy many years of trouble free usage of your appliance.

All cast iron products are manufactured in ISO 9002 accredited manufacturing facilities.

All the gas fires we supply are tested in accordance with CE requirements and are CE marked.

All measurements are approximate and may vary slightly so allow for a tolerance of plus or minus 12mm.

To achieve some of the colour options, we plate the products using a variety of manufacturing processes. "Antique Brass finish" or "Chrome finish" are not brass or chrome.

CLEANING

When cleaning the outer body of your gas/wood burning or multifuel stove, we do not recommend the use of any sprayed cleaning products, including water. We also do not recommend the use of a wet/damp cloth or rag to wipe away dust or ash, as this can also cause small areas of corrosion and rusting formations. Care should also be taken not to have any over-spray on the body of the stove, when cleaning the glass with any spray glass cleaner product. Unfortunately, rust and corrosion can sometimes happen when the stove is not used frequently, continuously exposed to water, moisture and oxygen combined. In all instances this natural process of oxidation can occur with all ferrous metaled stoves. When dusting and removing settlements of ash, we would only recommend the use of a soft bristle brush, or a dry microfibre cloth is used to keep the stove looking in the best possible condition. If marks are left from deposits of ash, then the gallery black grate polish can be applied to restore the area to its natural state.

GENERAL

All the images throughout this brochure are for illustrative purposes only and are as accurate as possible. Some natural materials may vary due to the nature of the products, but if the colour you require is critical then please consult your retailer before basing all your decisions on the colours shown here.

Some room sets may appear not to comply with the requirements of the latest building regulations, we would always advise that you check your proposal with your approved fitter before proceeding with any project.

Please also note that shading and crazing are characteristics of the glazed tiles used in tiled inserts and tiled hearths.

There are occasions when designs, or products are altered or discontinued without prior notice (a reserved right), so if you are about to set your heart on a particular fireplace, please consult your retailer before making that final commitment.

All installations must be carried out in accordance with the requirements set out in the Building Regulation.

Your Gallery fireplace is made up of a number of different components and it is important to ensure that your installer not only meets the requirements above, but that they also have the necessary experience to fit ALL those components.

Before committing to a fireplace, please discuss your particular installation with your retailer who will provide expert advice and carry out a survey.

DISCLAIMER

We reserve the right to change or withdraw details, prices or specifications without prior notice. Every effort has been made to ensure the accuracy of information in this brochure. All dimensions are given for your convenience and should only be used as a guide. Colour reproduction is as accurate as current printing methods allow. We cannot be held responsible for changes or matters outside our control.





WWW.THEGALLERYCOLLECTION.CO.UK

01204 868 550

INFO@THEGALLERYCOLLECTION.CO.UK



THE
GALLERY
COLLECTION

